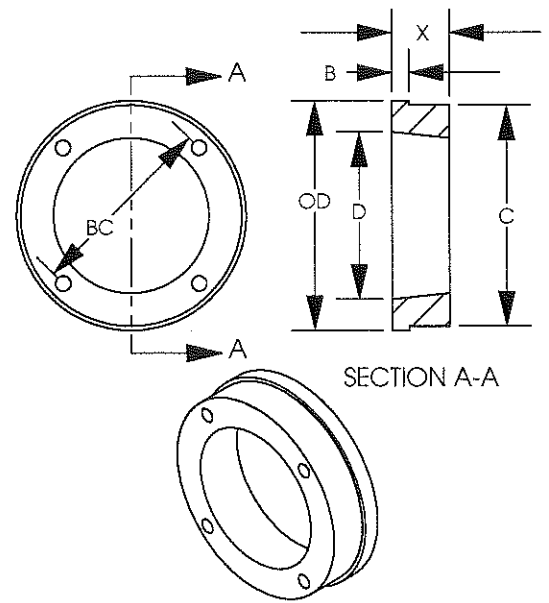


Hub Specifications

Hub Style	Dimensions						Bolt Holes	
	OD	C	D	X	B	BC	Qty	Size
GT-15	3 1/4	2 7/8	2	5/8	7/16	2 7/16	4	1/4-20NC
GT-20	4 1/8	3 13/16	6 11/16	13/16	9/16	3 3/16	4	5/16-18NC
GT-25	4 3/4	4 3/8	3 3/16	1 1/8	13/16	3 3/4	4	3/8-16NC
GT-30	5 5/8	5 3/4	3 7/8	1 1/4	7/8	4 9/16	4	7/16-14NC
GT-35	6 5/8	6 11/32	4 11/16	1 1/2	1 1/16	5 7/16	4	1/2-13NC
GT-40	7 5/8	7 1/4	5 5/16	1 3/4	1 1/4	6 1/8	4	9/16-12NC
GT-45	8 3/8	8	5 15/16	2 1/8	1 1/2	6 7/8	4	5/8-11NC
GT-50	10	9 9/16	7 1/4	2 1/2	1 3/4	8 15/16	4	3/4-10NC
GT-60	11 3/4	11 1/4	8 5/8	2 3/4	1 15/16	9 7/8	4	7/8-9NC
GT-70	13 3/4	13 3/16	10	3 1/8	2 3/16	11 9/16	4	1-8NC
GT-80	15 1/8	14 5/8	11 1/8	3 7/16	2 7/16	12 7/8	4	1 1/8-7-NC
GT-100	18	17 1/2	13 11/16	4 1/8	3	15 9/16	6	1 1/8-7-NC
GT-120	21	20 1/2	16 3/16	4 13/16	3 1/2	18 3/16	8	1 1/8-7-NC



Bushing Specifications

Bushing Style	Dimensions			Stock	Keyseat
	OD	X	B	Bore Sizes	
CXT-15	3 1/4	5/8	7/16	5/8, 3/4, 7/8 1, 1 1/8, 1 3/16, 1 1/4 1 7/16, 1 1/2	3/16 x 3/32 1/4 x 1/8 3/8 x 1/8
CXT-20	4 1/8	13/16	9/16	1, 1 3/16, 1 1/4 1 7/16, 1 1/2, 1 11/16 1 15/16, 2	1/4 x 1/8 3/8 x 3/16 1/2 x 3/16
CXT-25	4 3/4	1 1/8	13/16	1, 1 3/16, 1 1/4 1 7/16, 1 1/2, 1 11/16 1 15/16, 2, 2 3/16 2 7/16	1/4 x 1/8 3/8 x 3/16 1/2 x 1/4 5/8 x 1/8
CXT-30	5 5/8	1 1/4	7/8	1 7/16, 1 1/2 1 15/16, 2 3/16 2 7/16, 2 11/16 2 15/16	3/8 x 3/16 1/2 x 1/4 5/8 x 5/16 3/4 x 3/16
CXT-35	6 5/8	1 1/2	1 1/16	1 15/16, 2 3/16 2 7/16, 2 11/16 2 15/16 3 7/16	1/2 x 1/4 5/8 x 5/16 3/4 x 3/8 7/8 x 5/16
CXT-40	7 5/8	1 3/4	1 1/4	2 7/16 2 15/16 3 7/16 3 15/16	5/8 x 5/16 3/4 x 3/8 7/8 x 7/16 1 x 3/8
CXT-45	8 3/8	2 1/8	1 1/2	3 7/16 3 15/16 4 7/16	7/8 x 7/16 1 x 1/2 1 x 3/8
CXT-50	10	2 1/2	1 3/4	3 15/16, 4 7/16 4 15/16	1 x 1/2 1 1/4 x 5/8
CXT-60	11 3/4	2 3/4	1 15/16	5 7/16, 5 1/2 5 15/16, 6	1 1/4 x 5/8 1 1/2 x 3/4
CXT-70	13 3/4	3 1/8	2 3/16	6 7/16, 6 1/2 6 15/16, 7	1 1/2 x 3/4 1 3/4 x 3/4
CXT-80	15 1/8	3 7/16	2 7/16	7 1/2 7 15/16, 8	1 3/4 x 3/4 2 x 3/4
CXT-100	18	4 1/8	3	8 1/2, 9 9 7/16, 9 1/2, 10	2 x 3/4 2 1/2 x 7/8
CXT-120	21	4 13/16	3 1/2	10 1/2, 11 11 1/2, 12	2 1/2 x 7/8 3 x 1

