

REX[®] ZAF5000 SERIES

The Solid Choice

For easy installation and longer service life - Rex[®] ZAF5000 Series Bearings.

The new Rex[®] ZAF5000 Series solid housed spherical roller bearing provides an upgrade to competitive TAF units.

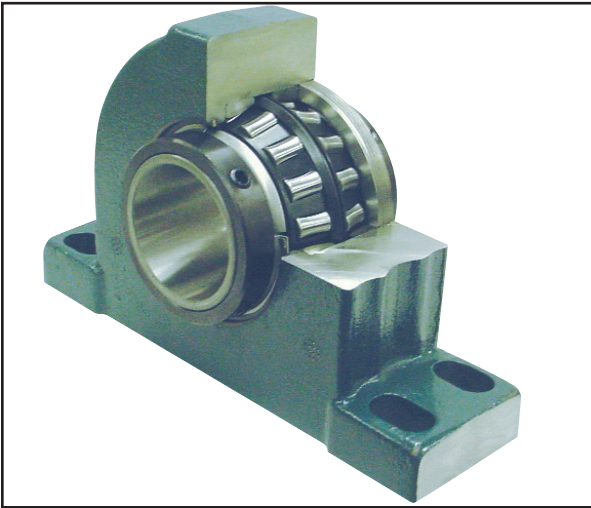
It is designed to provide easy installation and longer service life in tough applications.

The ZAF5000 is interchangeable with both SAF and TAF units. The bearing insert is the premium Rex 5000 series double set-collar insert, which has higher load and speed ratings than competitive tapered roller bearings.

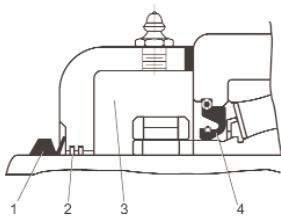
The Rex Bearing provides $\pm 1\frac{1}{2}^\circ$ of dynamic and static misalignment to allow for

installation inaccuracies, or shaft deflection.

The ZAF is available in shaft sizes from $2\frac{7}{16}$ " up to 5", with all of the standard Rex features, including three interchangeable seals, Z, K, and M, and auxiliary caps for severe applications.



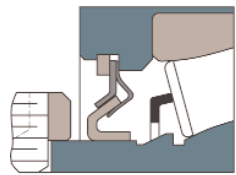
Auxiliary Cap Option



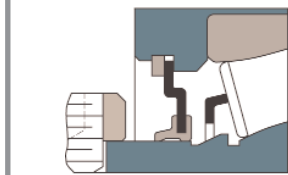
1. Molded rubber V-ring seal is press-fit on shaft and rotates with it, prevents fine dirt and moisture from entering, so there is no wear on the shaft.
2. Machined multi-grooved labyrinth seal and rugged cast iron cap provide physical protection to primary bearing seal.
3. Large cavity traps contaminants and moisture. The cavity can be filled with grease to provide continuous purging.
4. The heavy contact "M" seal provides the final line of defense. It retains grease and prevents contamination from entering and damaging the bearings.

- Rugged one-piece cast iron housing with precision milled ends provide simple installation and easy replacement
- Premium Rex 5000 Series bearing insert offers longer bearing life and higher speeds
- $\pm 1\ 1/2^\circ$ dynamic and static misalignment allows for installation inaccuracies and allows for shaft deflection in operation
- Three standard field interchangeable seals Z, K, and M are in stock to meet all your application needs
- Optional open and closed cast iron auxiliary caps offer four points of sealing protection for severe applications
- Field adjustable bearing clearance allows an off the shelf bearing to meet special application requirements

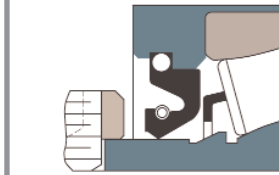
The following seal types are designed to fit your application needs.



Z Seal



K Seal



M Seal

Rexnord and Rex are trademarks of Rexnord Industries, Inc.
All rights reserved.

WORLDWIDE CUSTOMER SERVICE

AUSTRALIA
Rexnord Australia Pty. Ltd.
Picton, New South Wales
Phone: 61.2.4677.3811
Fax: 61.2.4677.3812

BRAZIL
Rexnord Correntes Ltda.
Sao Leopoldo - RS
Phone: 55.51.579.8022
Fax: 55.51.579.8029

CANADA
Rexnord Canada Ltd.
Scarborough, Ontario
Phone: 1.416.297.6868
Fax: 1.416.297.6873

CHINA
Rexnord China
Shanghai, China
Phone: 86.21.62701942
Fax: 86.21.62701943

EUROPE
Rexnord NV/SA
Mechelen, Belgium
Phone: 32.15.443811
Fax: 32.15.443860

Rexnord Kette GmbH
Betzdorf, Germany
Phone: 49.2741.2840
Fax: 49.2741.284.385

LATIN AMERICA
Rexnord International, Inc.
Milwaukee, Wisconsin
Phone: 1.414.643.3000
Fax: 1.414.643.3222

MEXICO
Rexnord S.A. de C.V.
Queretaro, Qro.
Phone: 52.442.218.5000
Fax: 52.442.218.1090

SINGAPORE
Rexnord International, Inc.
Singapore City, Singapore
Phone: 65.6338.5622
Fax: 65.6338.5422

UNITED STATES
Eastern Service Center
Atlanta, Georgia
Phone: 1.770.431.7200
Fax: 1.770.431.7299

Central Service Center
Grove City, Ohio
Phone: 1.614.675.1800
Fax: 1.614.675.1898

Southern Service Center
Arlington, Texas
Phone: 1.817.385.2800
Fax: 1.817.385.2873



Rexnord Bearing Group
7601 Rockville Road
Indianapolis, Indiana 46214
Phone: 1.317.273.5500 Fax: 1.317.273.5620
Visit us on-line at www.rexnord.com