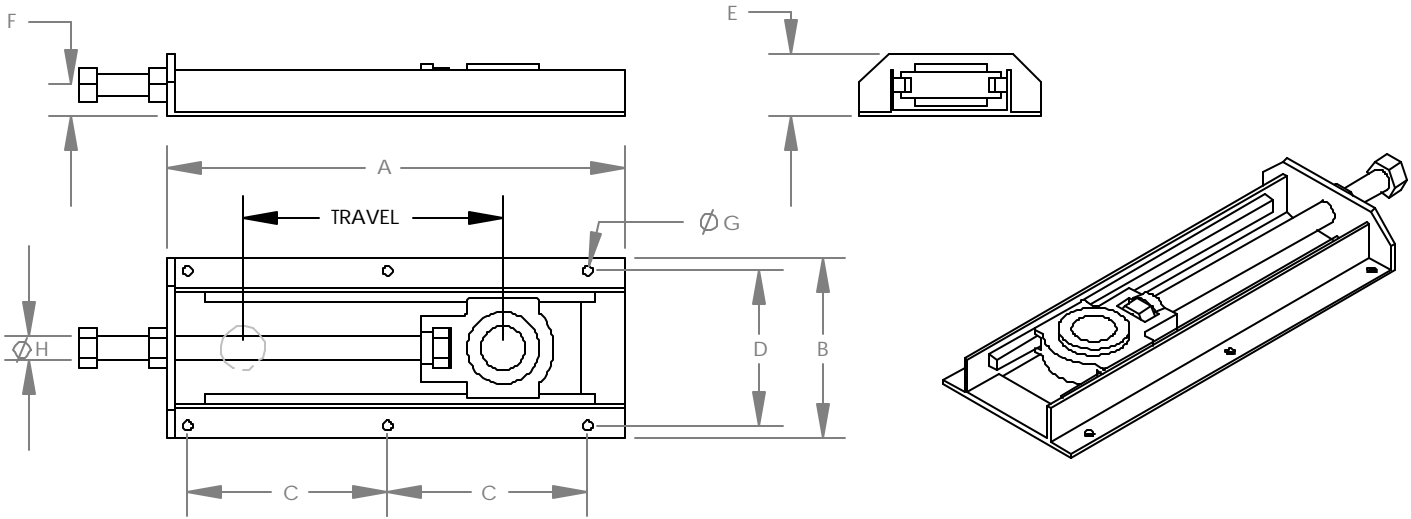


CCI Conveyor Pulleys

Wide Slot Take-Up Frames



Frame Size	Nominal Travel	Part Number	Weight	A	B	C	D	E	F	G		H	Bearing Size
										Qty	Dia		
CWS300	6	CWS300-6	7	12	6 9/16	4 15/16	5 9/16	1 3/4	1 1/16	6	7/16	5/8	1/2 through 1
	9	CWS300-9	8.5	15		6 7/16							
	12	CWS300-12	10	18		7 15/16							
	18	CWS300-18	13	24		10 15/16							
	24	CWS300-24	16	30		13 15/16							
CWS308	6	CWS308-6	9	12	7 1/16	9 7/16	6 1/16	2	1 1/4	4	7/16	3/4	1 1/16 through 1 7/16
	9	CWS308-9	10.5	15		6 1/4							
	12	CWS308-12	12	18		7 3/4							
	18	CWS308-18	15	24		10 3/4							
	24	CWS308-24	18	30		13 3/4							
CWS400	6	CWS400-6	14	13 3/4	8 13/16	11 1/2	7 5/16	2 1/4	1 7/16	4	1/2	1	1 1/2 through 2
	9	CWS400-9	16.5	16 3/4		7 1/4							
	12	CWS400-12	19	19 3/4		8 3/4							
	18	CWS400-18	24	25 3/4		11 3/4							
	24	CWS400-24	29	31 3/4		14 3/4							
	30	CWS400-30	34	37 3/4		17 3/4							
CWS502	6	CWS502-6	20	14 3/4	10 7/16	12 1/2	8 5/8	2 1/2	1 1/2	4	9/16	1 1/4	2 through 2 7/16
	9	CWS502-9	23.5	17 3/4		15 1/2							
	12	CWS502-12	27	20 3/4		9 1/4							
	18	CWS502-18	34	26 3/4		12 1/4							
	24	CWS502-24	41	32 3/4		15 1/4							
	30	CWS502-30	48	38 3/4		18 1/4							
CWS515	6	CWS502-6	31	17 7/8	12	14 1/2	10 1/4	3	2	4	5/8	1 1/2	2 15/16
	9	CWS502-9	36	20 7/8		17 1/2							
	12	CWS502-12	41	23 7/8		10 1/4							
	18	CWS502-18	51	29 7/8		13 1/4							
	24	CWS502-24	61	35 7/8		16 1/4							
	30	CWS502-30	71	41 7/8		19 1/4							
CWS608	6	CWS608-6	31	17 7/8	12 9/16	14 1/2	10 13/16	3	2	4	5/8	1 1/2	2 15/16 Medium Duty
	9	CWS608-9	36	20 7/8		17 1/2							
	12	CWS608-12	41	23 7/8		10 1/4							
	18	CWS608-18	51	29 7/8		13 1/4							
	24	CWS608-24	61	35 7/8		16 1/4							
	30	CWS608-30	71	41 7/8		19 1/4							